

Product: KLUDI bottle trap G 1 1/4"

Ref.: 1010505-00

Product description

bottle trap G 1 1/4"
 G 1 1/4 x Ø 32 mm
 with outlet tube Ø 32 x 200 mm
 with wall flange (escutcheon) Ø 65 mm
 according to DIN EN 274

Finishes:
 05 chrome

Product picture

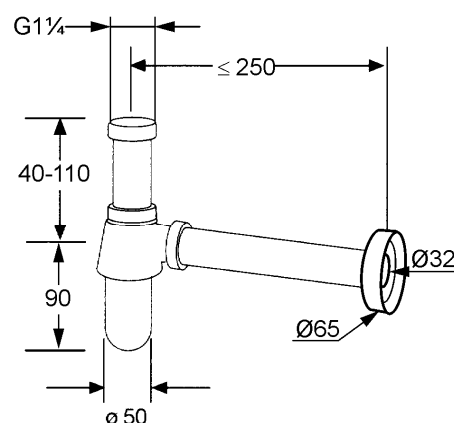


Advertisement

- * KLUDI GmbH & Co KG KLUDI bottle trap G 1 1/4" item no. 1010505-00
- ** chrome plated brass
- *** DIN EN 274

bottle trap 1 1/4 inch, manufacturer KLUDI GmbH & Co KG KLUDI bottle trap item no. 1010505-00, finishes: chrome plated brass, rosette chrome plated diameter Ø 65 mm, for wash basin in accordance to DIN EN 32, in acc. to DIN EN 274 (19545), with outlet tube Ø 32 mm x 200 mm, adjustable drain pipe 40 - 110 mm, diameter siphon 50 mm, for wall connection ≤ 250 mm, waste flow rate in accordance to EN 274 ~ 36 l/min,

Dimensional drawing



Flow rate diagram

**waste flow rate in
 accordance to
 DIN EN 274
 36,0 l/min**